

YCB7-125

MINIATURE CIRCUIT BREAKER

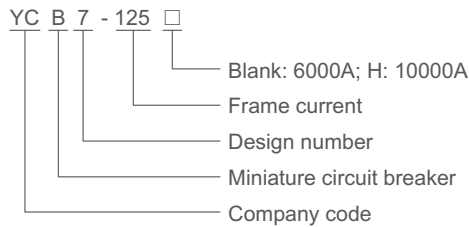
- Micro curved surface design
- All copper current carrier
- On off indicating window
- High current frame



▼ Product overview

YCB7-125 series MCCB is suitable for AC 50/60 Hz, rated voltage not over 400V, rated current 63A line. Be used for overload and short circuit protection of line facilities and electrical equipment in buildings and similar places, can also be used for infrequent operational conversion, and can also be assembled with shunt release for remote control.

▼ Product model and meaning



▼ Normal working condition

1. Ambient temperature: $-25^{\circ}\text{C}\sim+60^{\circ}\text{C}$;
2. Installation site altitude does not exceed 2000m;
3. The relative humidity of the air at the installation site under atmospheric condition shall not exceed 50% at a maximum temperature of $+40^{\circ}\text{C}$; In the wettest months the average temperature does not exceed $+25^{\circ}\text{C}$ and the relative humidity does not exceed 90%;
4. Installation category: II, III;
5. Pollution class: 2(in general there is only non-conductive pollution, but occasional transient conductive pollution due to condensation);
6. Generally, MCCB should be installed vertically, the tilt angle should not exceed 5° , and the handle upward is the power supply position.
7. There should be no significant impact and vibration at the installation site, and the external magnetic field near the installation site should not exceed 5 times the geomagnetic field in any direction.

▼ Main technical parameters

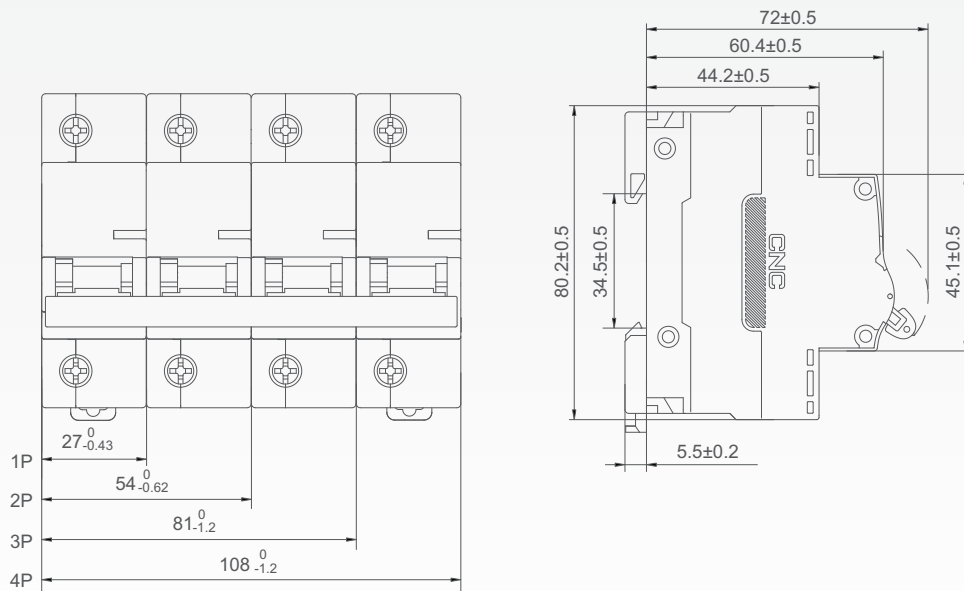
Model	YCB7-125	YCB7-125H
Frame current/Rated current $I_n(\text{A})$	125	
Pole	1P, 2P, 3P, 4P	
Rated voltage $U_e(\text{V})$	1P: AC230; 2P: AC230/400; 3P/4P: AC400	
Rated current $I_n(\text{A})$	63, 80, 100, 125	
Setting current	(C) $I_i=8I_n$; (D) $I_i=12I_n$	
Rated short-circuit capacity $I_{cu}(\text{A})$	6000A($I_{cs}=I_{cu}$)	10000A($I_{cs}=75\%I_{cu}$)
Mechanical life	20000	
Electrical life	$I_n>100\text{A}$: 4000; $I_n\leq 100\text{A}$: 6000	
Standard	IEC 60947-2	
Certification	CE	

▼ **Overcurrent protection characteristics**

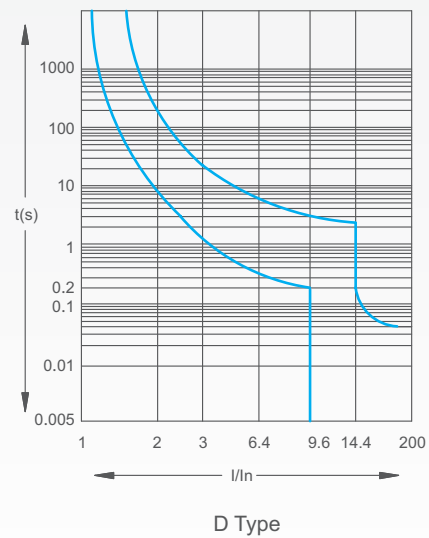
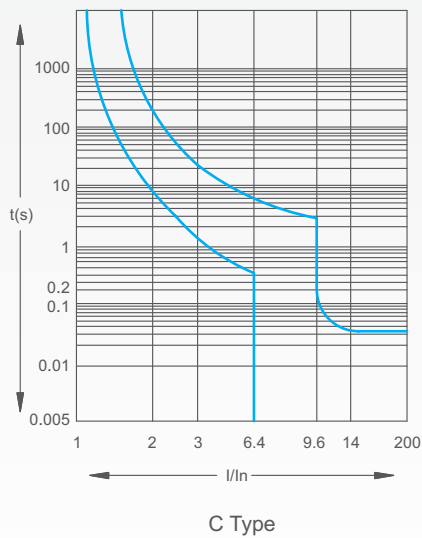
Test	Release type	Test current	Initial state	Release or not release time limit	Expected result	Test temperature	Remark
a	C, D	1.05I _n	Cold state	t≤1h (I _n ≤63A) t≤2h (I _n >63A)	Not release	30°C~35°C	
b	C, D	1.3I _n	Conducted immediately after the a experiment	t<1h (I _n ≤63A) t<2h (I _n >63A)	Release	30°C~35°C	The current rises steadily within 5s
c	C, D	2.55I _n	Cold state	1s<t<120s	Release	30°C~35°C	
d	C	8I _n ×80%	Cold state	t≤0.2s	Not release	30°C~35°C	Turn on the current by closing the auxiliary switch
	D	12I _n ×80%					
e	C	8I _n ×120%	Cold state	t<0.2s	Release	30°C~35°C	Turn on the current by closing the auxiliary switch
	D	12I _n ×120%					

Note: "cold" means that no load before test and the test is carried out at a reference calibration temperature.

▼ **Overall and mounting dimensions(mm)**



▼ Release characteristics curve



▼ Ordering instruction

1. When ordering, the user should indicate: model, release type, rated current, pole number, accessories, and quantity.
For example: YCB7-125 MCCB C 80 1P 30mA 990 sets (indicates 990 sets of YCB7-125 MCCB C type 1P 80A).
2. Products can be assembled accessories: OF, SD, MX, MN+MV, MX+OF and so on.
3. Special requirements of users can be negotiated separately.