

YCB7LE-63Y

RESIDUAL CURRENT CIRCUIT BREAKER WITH OVER CURRENT PROTECTION

- Micro curved surface design
- Humanized handle
- On off indicating window
- Anti-crip
- All copper current carrier

YCB7LE-63Y

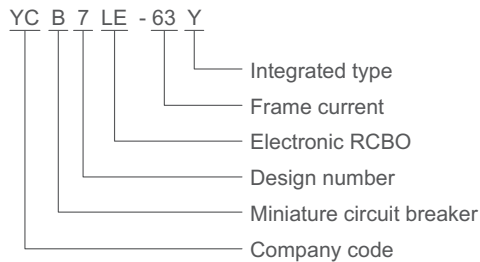
Residual Current Circuit Breaker With Over Current Protection



▼ Product overview

YCB7LE-63Y series RCBO is suitable for AC 50/60Hz, rated voltage 230V, rated current 6A to 63A lines, for residual current protection. When the person gets an electric shock or the power grid leakage current exceeds the specified value, the RCBO can automatically cut off the power supply in a very short time to ensure the safety of people and electrical equipment. MCBO can be used to protect the overload and short circuit of the line, and can also be used as the infrequent conversion of the line under normal condition.

▼ Product model and meaning



▼ Normal working condition

1. Ambient temperature: $-25^{\circ}\text{C} \sim +60^{\circ}\text{C}$;
2. Relative humidity: $+20^{\circ}\text{C}$ not exceed 90%; $+40^{\circ}\text{C}$ not exceed 50%.
3. Installation site altitude does not exceed 2000m;
4. Installation category: III;
5. Pollution class: 2 (in general there is only non-conductive pollution, but occasional transient conductive pollution due to condensation);
6. MCB should be installed vertically, the tilt angle should not exceed 5° ; the handle upward is the power supply position
7. The external magnetic field near the installation site should not exceed 5 times the geomagnetic field in any direction;
8. There should be no significant impact and vibration at the installation site.

▼ Main technical parameters

Frame current	63
Rated insulation voltage	500V
Rated current I_n (A)	6, 10, 16, 20, 25, 32, 40, 50, 63
Rated frequency	50/60Hz
Instantaneous release type	C
Pole	2P(With a protection pole, N pole can be opened and closed)
Rated residual operation current	0.03A, 0.05A
Rated short-circuit capacity I_{cn}	6kA
Run short-circuit capacity I_{cs}	6kA
Rated residual connecting and breaking capacity	2kA
Insulation impulse voltage capacity	a. Each pole connected together with the neutral pole,can withstand the peak impact voltage of 6000V; b. Each pole connected together with the neutral pole,can withstand the peak impulse voltage of 8000V between the metal bracket.
Mechanical life	10000
Electrical life	4000
Grid distance	50mm
Protection class	IP20
Standard	IEC 61009-1
Certification	CE

▼ Overcurrent protection characteristics

Test	Release type	Test current	Initial state	Release or not release time limit	Expected result	Test temperature	Remark
a	C	$1.05I_n$	Cold state	$t \leq 1h$ ($I_n \leq 63A$)	Not release	30°C~35°C	
b	C	$1.3I_n$	Conducted immediately after the a experiment	$t < 1h$ ($I_n \leq 63A$)	Release	30°C~35°C	The current rises steadily within 5s
c	C	$2.55I_n$	Cold state	$1s < t < 60s$ ($I_n \leq 32A$) $1s < t < 120s$ ($I_n > 32A$)	Release	30°C~35°C	
d	C	$5I_n$	Cold state	$t \leq 0.1s$	Not release	30°C~35°C	Turn on the current by closing the auxiliary switch
e	C	$10I_n$	Cold state	$t < 0.1s$	Release	30°C~35°C	Turn on the current by closing the auxiliary switch

Note: "cold" means that no load before test and the test is carried out at a reference calibration temperature.

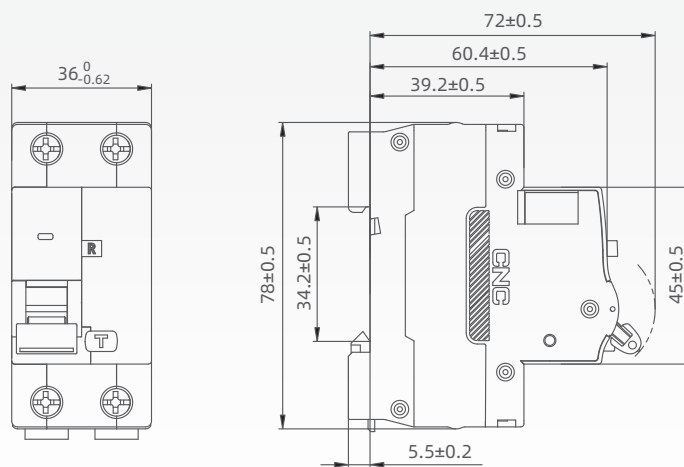
▼ Current correction coefficients for different ambient temperature

Ambient temperature °C	-30	-20	-10	0	10	20	30	40	50	60	70
Current correction coefficients	1.30	1.30	1.20	1.15	1.10	1.05	1.00	0.95	0.90	0.85	0.8

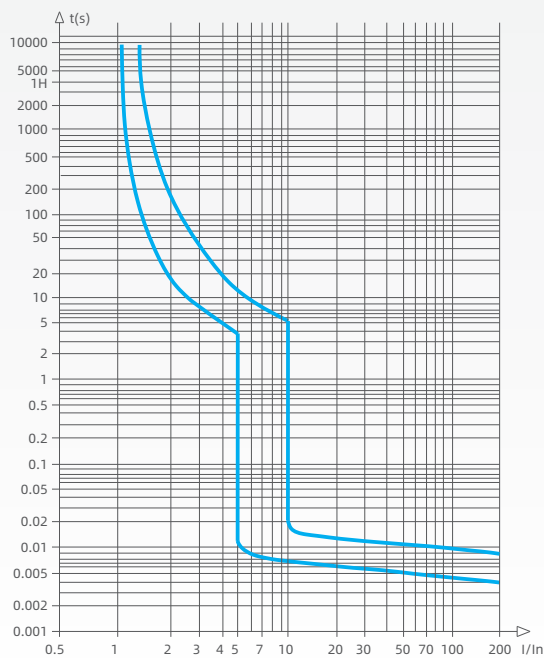
YCB7LE-63Y

Residual Current Circuit Breaker With Over Current Protection

▼ Overall and mounting dimensions(mm)



▼ Overall and mounting dimensions(mm)



▼ Ordering instruction

1. When ordering, the user should indicate: product name, model, rated current, rated residual operating current, instantaneous release type, pole number, and quantity.
For example: YCB7LE-63Y RCBO C 63 2P 30mA 880 sets (indicates 880 sets of YCB7LE-63Y RCBO, residual operating current is 30mA, instantaneous release type is C type, pole number is 2P, rated current is 63A).
2. Special requirements of users can be negotiated separately.