

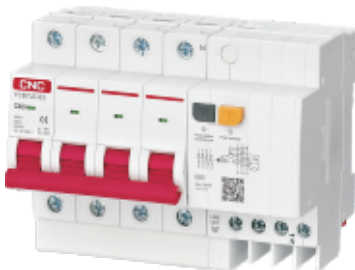
YCB7LE-63

RESIDUAL CURRENT CIRCUIT BREAKER WITH OVER CURRENT PROTECTION

- Micro curved surface design
- Humanized handle
- On off indicating window
- Anti-crip
- All copper current carrier
- Precise leakage protection

YCB7LE-63

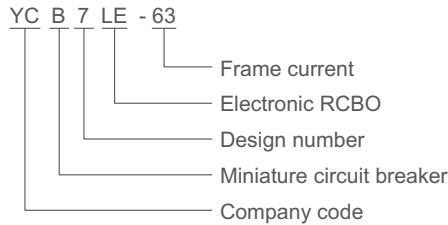
Residual Current Circuit Breaker With Over Current Protection



▼ Product overview

YCB7LE-63 series RCBO is suitable for AC 50Hz, rated voltage up to 400V, rated current up to 63A lines. When the person get an electric shock or the power grid leakage current exceeds the specified value, the RCBO can automatically cut off the power supply in a very short time to ensure personal safety and prevent accidents caused by leakage current. RCBO also has the function of overload and short circuit protection, which can be used to protect the overload and short circuit of the line, and can also be used as the infrequent conversion of the line under normal conditions. Suitable for industrial, commercial, high-rise and residential and other occasions.

▼ Product model and meaning



▼ Normal working condition

1. Operating temperature: -25°C~+60°C, +20°C relative humidity should not be higher than 90%; +40°C relative humidity should not be higher than 50%;
2. Altitude: not exceed 2000m;
3. Installation category: II, III;
4. Installation: Embedded vertical DIN standard rail mounting;
5. Pollution class: 2.

▼ Main technical parameters

Frame current	63
Rated insulation voltage	500V
Rated current I _n (A)	6, 10, 16, 20, 25, 32, 40, 50, 63
Rated frequency	50Hz
Instantaneous release type	B, C, D
Pole	1P+N, 2P, 3P, 3P+N, 4P
Rated residual operation current	0.03A, 0.05A, 0.1A
Rated short-circuit capacity I _{cn}	6kA
Run short-circuit capacity I _{cs}	6kA
Rated residual connecting and breaking capacity	2kA
Insulation impulse voltage capacity	a. Each pole connected together with the neutral pole, can withstand the peak impact voltage of 6000V; b. Each pole connected together with the neutral pole, can withstand the peak impulse voltage of 8000V between the metal bracket.
Mechanical life	10000
Electrical life	4000
Grid distance	50mm
Protection class	IP20
Standard	IEC60898-1
Certification	CE

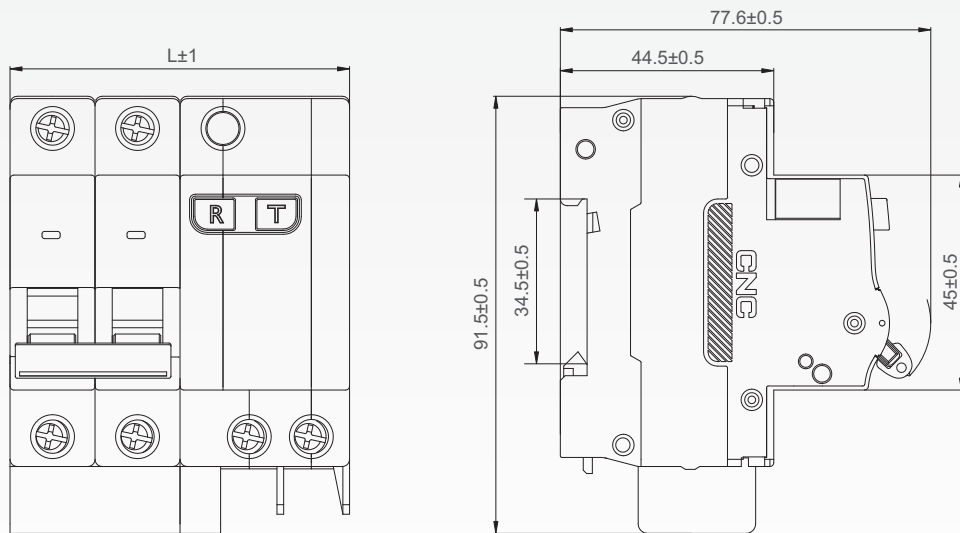
Overcurrent protection characteristics

No.	Release rated current(A)	Initial state	Test current	Set time	Expected result	Remark
1	6~63	Cold state	1.13In	t≤1h	Not release	
2	6~63	Conducted immediately after the previous experiment	1.45In	t<1h	Release	The current rises steadily to the specified value within 5s
3	In≤32	Cold state	2.55In	1s<t<60s	Release	
	In>32	Cold state	2.55In	1s<t<120s	Release	
4	6~63	Cold state	3In	t≤0.1s	Not release	B
			5In	t<0.1s	Release	
			5In	t≤0.1s	Not release	C
			10In	t<0.1s	Release	
			10In	t≤0.1s	Not release	D
			20In	t<0.1s	Release	

Current correction coefficients for different ambient temperature

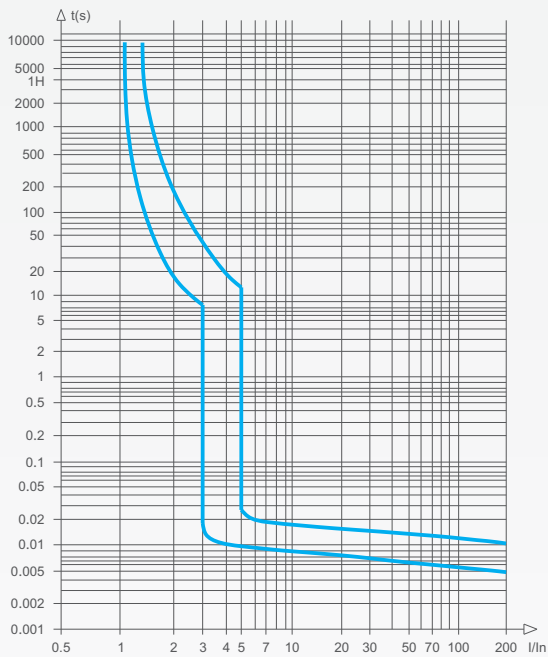
Ambient temperature °C	-30	-20	-10	0	10	20	30	40	50	60	70
Current correction coefficients	1.30	1.30	1.20	1.15	1.10	1.05	1.00	0.95	0.90	0.85	0.8

Overall and mounting dimensions(mm)

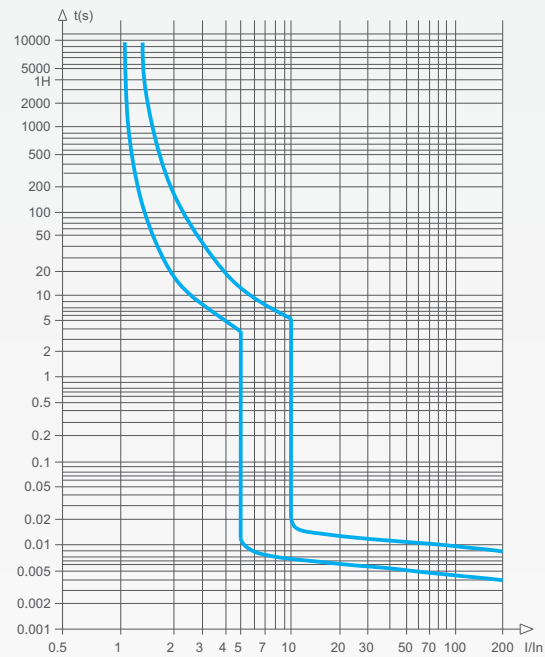


Pole	Big shell size L(mm)	Small shell size L(mm)
1P+N	53.3	44.2
2P	71.1	62.0
3P	101.9	88.8
3P+N	114.9	97.8
4P	132.7	115.6

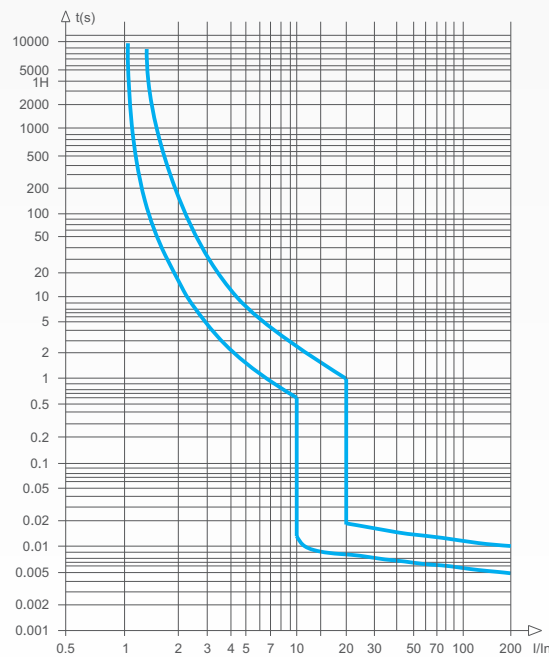
▼ Release characteristics curve



B Type



C Type



D Type

▼ Ordering instruction

- When ordering, the user should indicate: product name, model, rated current, rated residual operating current, instantaneous release type, pole number, and quantity.
For example: YCB7LE-63 RCBO C 63 2P 30mA 880 sets (indicates 880 sets of YCB7LE-63 RCBO, residual operating current is 30mA, instantaneous release type is C type, pole number is 2P, rated current is 63A).
- Special requirements of users can be negotiated separately.