



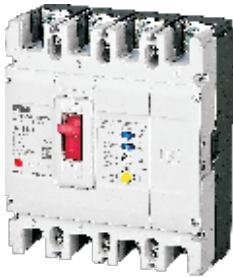
YCM7LE

RESIDUAL CURRENT OPERATED CIRCUIT BREAKER

- High-end surface design
- Anti-creep tripping
- Separate cover structure
- Super environmental adaptability

YCM7LE

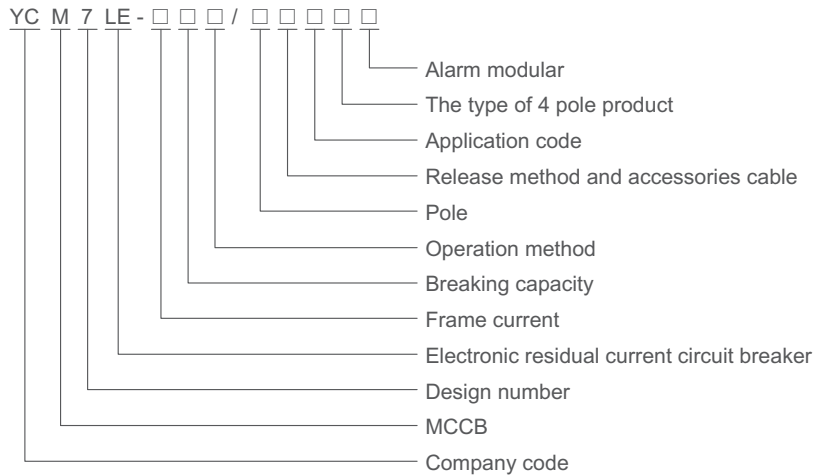
Residual current operated circuit breaker



▼ Product overview

YCM7LE series residual current operated circuit breaker, mainly suitable for AC 50Hz, rated voltage 400V, rated current to 800A power distribution network, used to protect people against indirect contact, and can also be used to prevent fire hazards caused by equipment insulation damage and earth fault. It can also be used to distribute power and protect power supply equipment against overload and short circuit, and can also be used as the infrequent conversion of the line and the infrequent start of the motor. The rated residual operating current $I_{\Delta n}$ and the maximum off-time can be adjusted according to the actual situation; the circuit breaker can be customized leakage only alarm without tripping function.

▼ Product model and meaning

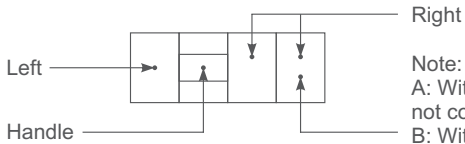


Alarm modular	I: Alarm and tripping; II: Alarm, no tripping
The type of 4 pole product	A: Without current release components, N-pole is always connected, not combined with other three poles B: Without current release components, N-pole combined with the other three poles (N-pole first combined then divided)
Application code	Blank: power distribution; 2: motor protection
Accessory	00: No accessories; 08: Alarm; 10: Shunt; 20: Auxiliary; 30: Undervoltage; 40: Shunt + auxiliary; 60: Two groups of auxiliary; 70: Undervoltage + auxiliary; 18: Shunt + alarm; 28: Auxiliary report; 38: Undervoltage + alarm; 48: Shunt + auxiliary report; 68: Double auxiliary + auxiliary report; 78: Undervoltage + auxiliary report
Pole	2:2P; 3:3P; 4:4P
Operation method	Blank: direct operation with handle; Z: operation with rotary handle; P: motor-driven operation.
Breaking capacity	L: Standard type; M: Higher type; H: High type
Frame current	125, 250 (Compact type), 250, 400, 630, 800
Standard	IEC 60947-2
Certification	CE

YCM7LE-250 compact type has a maximum rated current of 160A.

▼ Accessory code and mounting position

□ Alarm contact, ■ Auxiliary contact, ● Shunt release, ○ Undervoltage release



Note:
 A: Without current release components, N-pole is always connected, not combined with other three poles
 B: Without current release components, N-pole combined with the other three poles (N-pole first combined then divided)

Accessories code		Accessories name	YCM7LE-125(160) YCM7LE-250		YCM7LE-400 YCM7LE-630 YCM7LE-800	
Electromagnetic release	Complex release		3P	4P	3P	4P
200	300	Without parts				
208	308	Alarm contact				
210	310	Shunt release				
220	320	Auxiliary contact				
230	330	Undervoltage release				
240	340	Shunt release, auxiliary contact	/		/	
260	360	Two sets auxiliary contact	/		/	
270	370	Auxiliary contact, undervoltage release	/		/	
218	318	Shunt release, alarm contact	/		/	/
228	328	Integrated auxiliary alarm contact	/		/	
238	338	Undervoltage release, alarm contact	/		/	/
248	348	Shunt release, auxiliary contact, alarm contact	/		/	/
268	368	Two sets auxiliary contact, alarm contact	/		/	
278	378	Auxiliary contact, undervoltage release, alarm contact	/		/	/

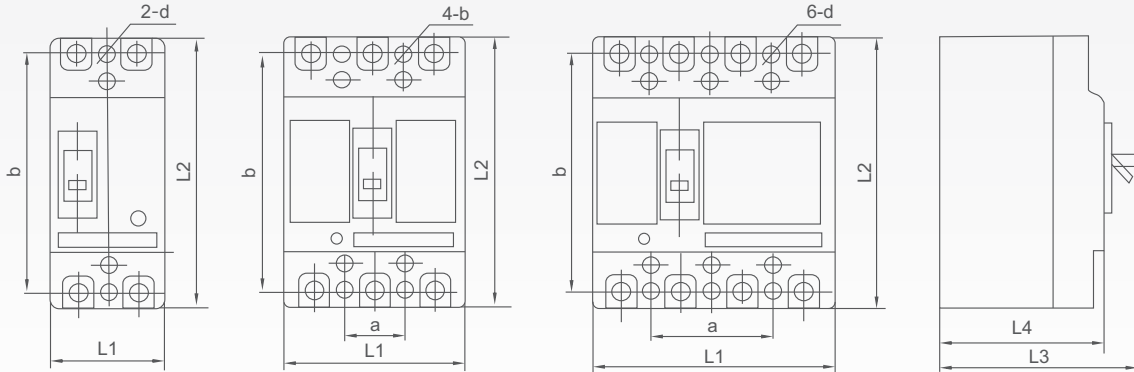
▼ Main technical parameters

Model	YCM7LE-125		YCM7LE-250		YCM7LE-400			YCM7LE-630-800			
Frame current $I_{nm}(A)$	125		250		400			630,800			
Rated current $I_n(A)$	16,20,25,32,40,50,63,80,100,125		100,125,140,160,180,200,225,250		225,315,350,400			400,500,630,700,800			
Pole	4		4		4			4			
Rated insulation voltage $U_i(V)$	800										
Rated working voltage $U_e(V)$	AC400										
Rated impact voltage $U_{imp}(kV)$	8000										
Flashover distance(mm)	50				100						
Breaking capacity class	L	M	L	M	L	M	H	L	M	H	
Rated limit short-circuit breaking capacity $I_{cu}(kA)$	35	50	35	50	35	50	85	35	50	85	
Rated operating short-circuit breaking capacity $I_{cs}(kA)$	25	35	25	35	25	35	65	25	35	65	
Rated residual short-circuit breaking capacity	12.5	12.5	12.5	12.5	21.25	21.25	21.25	8.75	12.5	21.25	
Rated residual operating current $I_{\Delta n}(mA)$	Non-delay type	30/100/500, 100/300/500		30/100/500, 100/300/500		100/300/500			300/500/1000		
	Delay type	100/300/500		100/300/500		100/300/500			300/500/1000		
Rated residual unoperating current $I_{\Delta n}(mA)$	$1/2I_{\Delta n}$		$1/2I_{\Delta n}$		$1/2I_{\Delta n}$			$1/2I_{\Delta n}$			
Operating performance(times)	Power on	1500		1000		1000			1000		
	Power off	8500		7000		4000			4000		
Residual current protection operating time	$I_{\Delta n}$		$2I_{\Delta n}$		$5I_{\Delta n}$			$10I_{\Delta n}$			
Max breaking time(S)	Non-delay type	0.3		0.15		0.04			0.04		
	Delay type	0.4/1		0.4/1		0.4/1			0.4/1		

YCM7LE

Residual current operated circuit breaker

▼ Overall and mounting dimensions(mm)



Model	Pole	Overall size				Installation size		
		L1	L2	L3	L4	a	b	d
YCM7LE-125	2	62	150	94	75	/	129	Φ4.5
YCM7LE-250 (Compact type)	3	92	150	94	75	30	129	Φ4.5
	4	122	150	94	75	60	129	Φ4.5
YCM7LE-250	2	74.5	165	94	75	/	126	Φ5
	3	107	165	110	90	35	126	Φ5
	4	142	165	110	90	70	126	Φ5
YCM7LE-400	3	150	257	146	106	44	194	Φ7
	4	198	257	146	106	94	194	Φ7
YCM7LE-630	3	210	280	155	116	70	243	Φ7
	4	280	280	155	116	140	243	Φ7
YCM7LE-800	3	210	280	155	116	70	243	Φ7
	4	280	280	155	116	140	243	Φ7

▼ Order instruction

- When ordering, you must specify: product name, model, specification, number of poles, breaking capacity class, release mode and accessory name, protection characteristics, rated current, rated residual operating current, order quantity.
For example: order YCM7LE-250,4p (zero line type B), M type, distribution protection circuit breaker, complex release, rated current 225A, rated residual operating current 30mA, 100 sets. It should be written as: YCM7LE-250M/4300B 225A 100mA 100pcs.
- Special requirements for circuit breakers can be negotiated with the manufacturer.